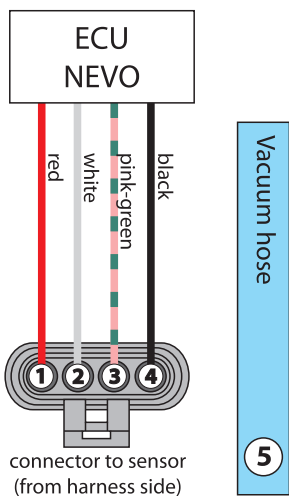
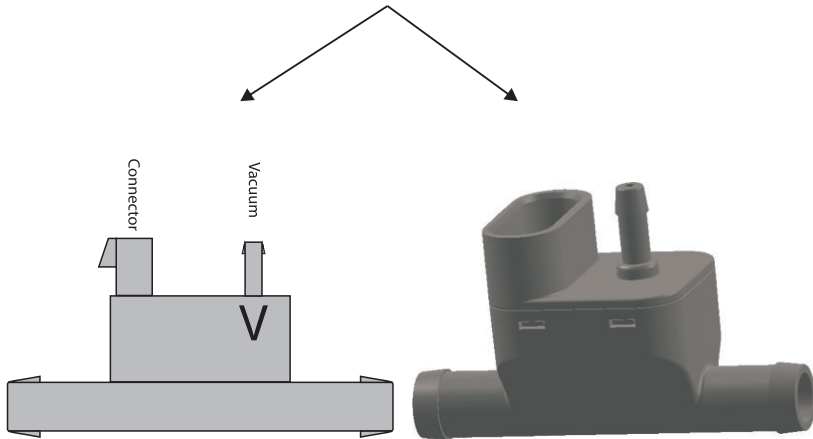
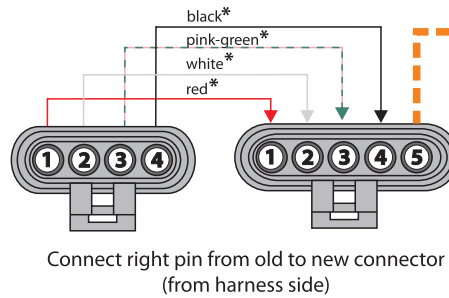
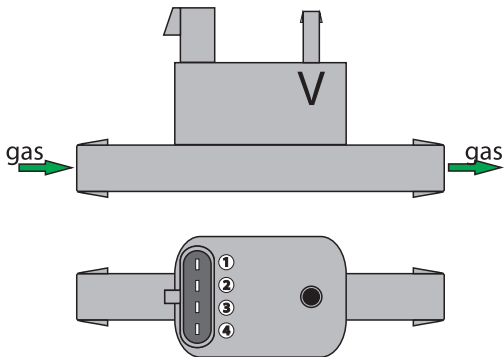
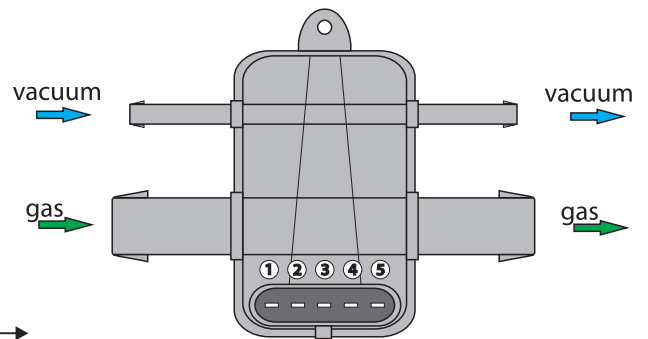


Pressure sensor **PSCCT-5-D** - no more in production



**Possible change for PSCCT-6-D**

Sensor **PSCCT-6-D** mounted on the gas line between gas filter and injectors

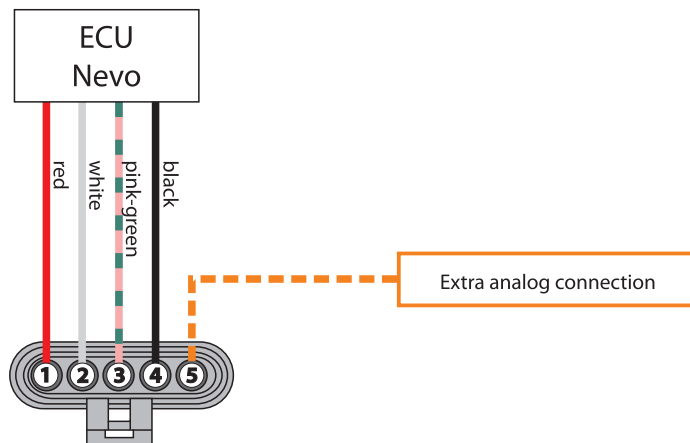
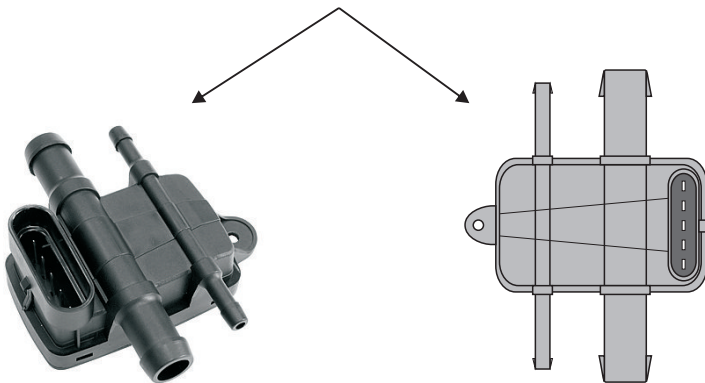


Extra analog connection

Need to change also connector right for newer version of sensor

In the Nevo software should be chosen sensor PS-CCT 5-D / PS-CCT6-D

Pressure sensor **PSCCT-5-D** - actual in production process



Connector to sensor  
(from harness side)

